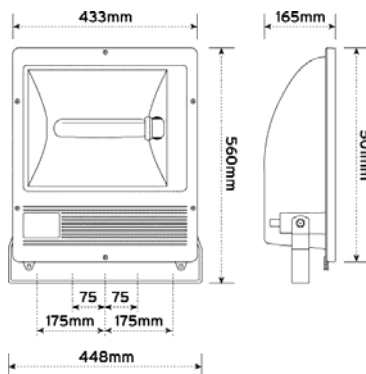




PC INDUCTION FLOODLIGHT



Professional IP65 floodlight that incorporates the Energy Mizer® Induction Lamp and high frequency Control Gear with options of 40/80w/120w/150w.

With Lumen outputs from 6'800 to 12'750 and instant restrike
The lamps are guaranteed for 100'000 hour's continuous use. With ultra low power consumption, due to the extended lamp life this product is ideal for installations where re-lamping is expensive such as outdoor lighting, factory lighting etc.

The floodlight body and frame are manufactured from high quality thermo plastic UV and heat stabilised. The standard colour is black but also available in grey.

For dusk to dawn operation built in photocell versions are available.