



Street Lighting (0660)



Name: Street Light

Serial Code: 0660

Dimension: 762x430x248mm

Wattage: 40W~150W

Dimension: 830x490x290mm

Features:

- 1. The body is made of high pressure die-cast Aluminum**
- 2. High-intensity, high temperature resistant tempered glass**
- 3. Aluminum reflector provides optimum light distribution**
- 4. Powder coated body**
- 5. Optional photo-controlled switch**
- 6. Excellent Color Rendering Index and light efficiency, long life span, anti flicker, good energy saving, wide range of color temperatures.**





Planning Data

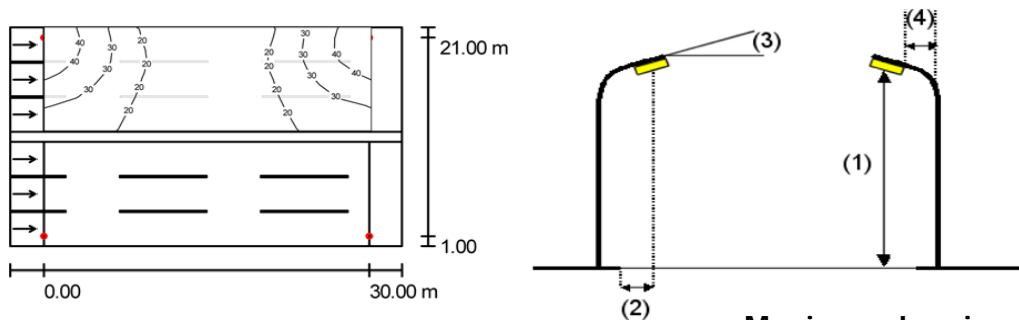
Street Profile

2 (Width: 10.500m, Number of lanes: 3 Tarmac: R3, q0: 0.070
 (Width: 1.000m, Height: 0.000m)

1 (Width: 10.500m, Number of lanes: 3 Tarmac: R3, q0: 0.070

Light Loss Factor 0.70

Luminaire Arrangements



Luminaire: 0660
Luminous Flux: 12000 lm
Wattage: 150w
Arrangement: Double Row, Opposing.
Pole Distance: 30.0 meters
Mounting Height: 10.0 meters
Height: 10.0 meters
Overhang: (2) 1.0 meters
Boom Angle: (3) 15°
Boom Length: 1.5 meters

Maximum Luminous Intensities:

At 70° : 140 cd/klm
At 80° : 84 cd/klm
At 90° : 42 cd/klm

Any direction forming the specified angle from the downward vertical, with luminaire installed ready for use.

Arrangement complies with luminous intensity class G1
Arrangement complies with Glare Index class D6

Grid 10 x 9 points.
Accompanying street elements 2.
Tarmac R3, q0: 0.070
Selected Lighting Class: ME4a (all lighting performance requirements are met.

Calculated values:	L_{av} [cd/m ²]	U0	UI	TI [%]	SR
Required values according to class:	1.16	0.6	0.6	6	0.8
Fulfilled/Not fulfilled:	≥ 0.75	≥ 0.4	≥ 0.6	≤ 15	≥ 0.5
	✓	✓	✓	✓	✓
E_{av} [lx]	E_{min} [lx]	E_{max} [lx]	u0	E_{min} / E_{max}	
24	11	46	0.453	0.237	